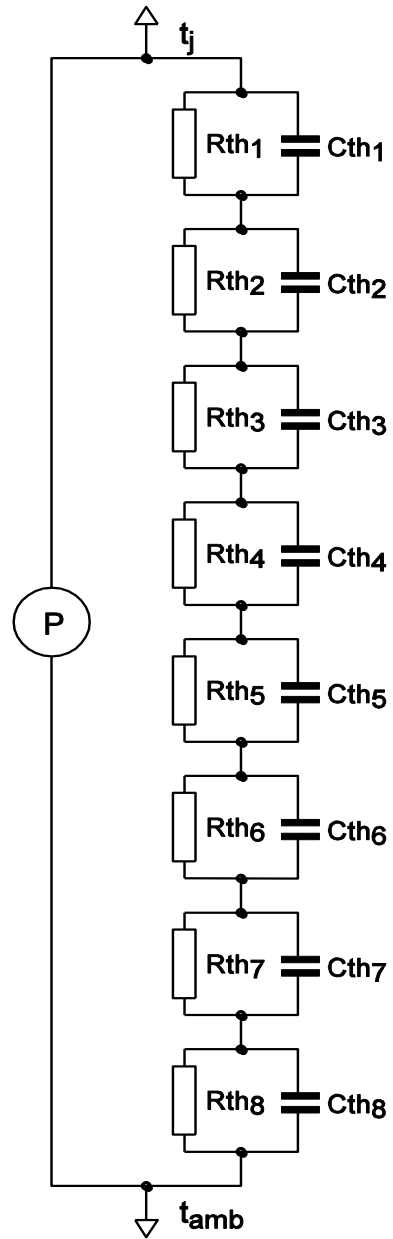


## SPICE thermal model

PSMN6R0-30YLD

Symbol	Parameter	Conditions	Min	Typ	Max	Unit
$R_{th(j-mb)}$	thermal resistance from junction to mounting base		-	-	3.22	K/W

$C_{th1}$	1.039E-05 F
$C_{th2}$	1.209E-04 F
$C_{th3}$	1.012E-04 F
$C_{th4}$	7.006E-04 F
$C_{th5}$	9.345E-04 F
$C_{th6}$	6.477E-03 F
$C_{th7}$	3.819E-02 F
$C_{th8}$	4.371E+01 F
$R_{th1}$	6.351E-03 $\Omega$
$R_{th2}$	1.020E-02 $\Omega$
$R_{th3}$	8.185E-02 $\Omega$
$R_{th4}$	1.526E-01 $\Omega$
$R_{th5}$	9.039E-01 $\Omega$
$R_{th6}$	1.374E+00 $\Omega$
$R_{th7}$	6.843E-01 $\Omega$
$R_{th8}$	7.108E-03 $\Omega$



001aal768

Part: PSMN6R0-30YLD  
 Date: 17/11/2015  
 Model Rth 3.22 K/W